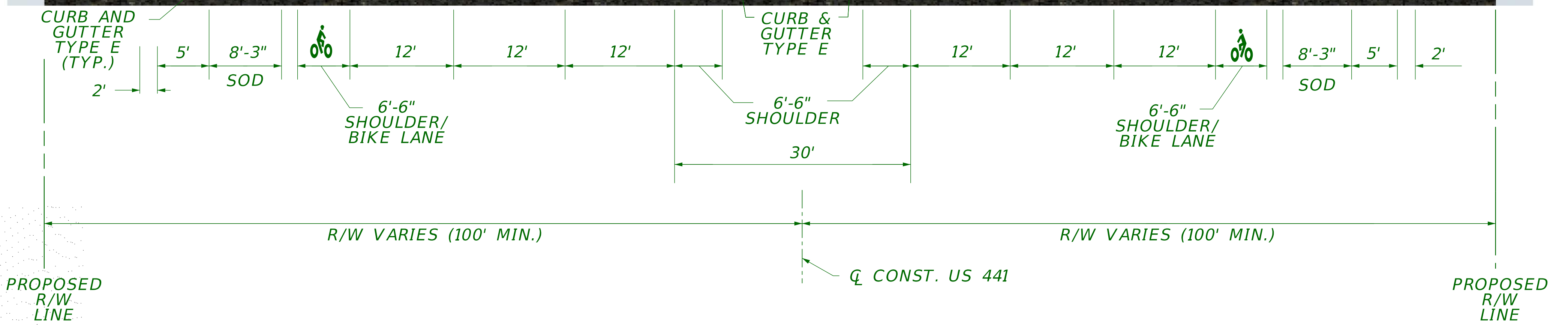
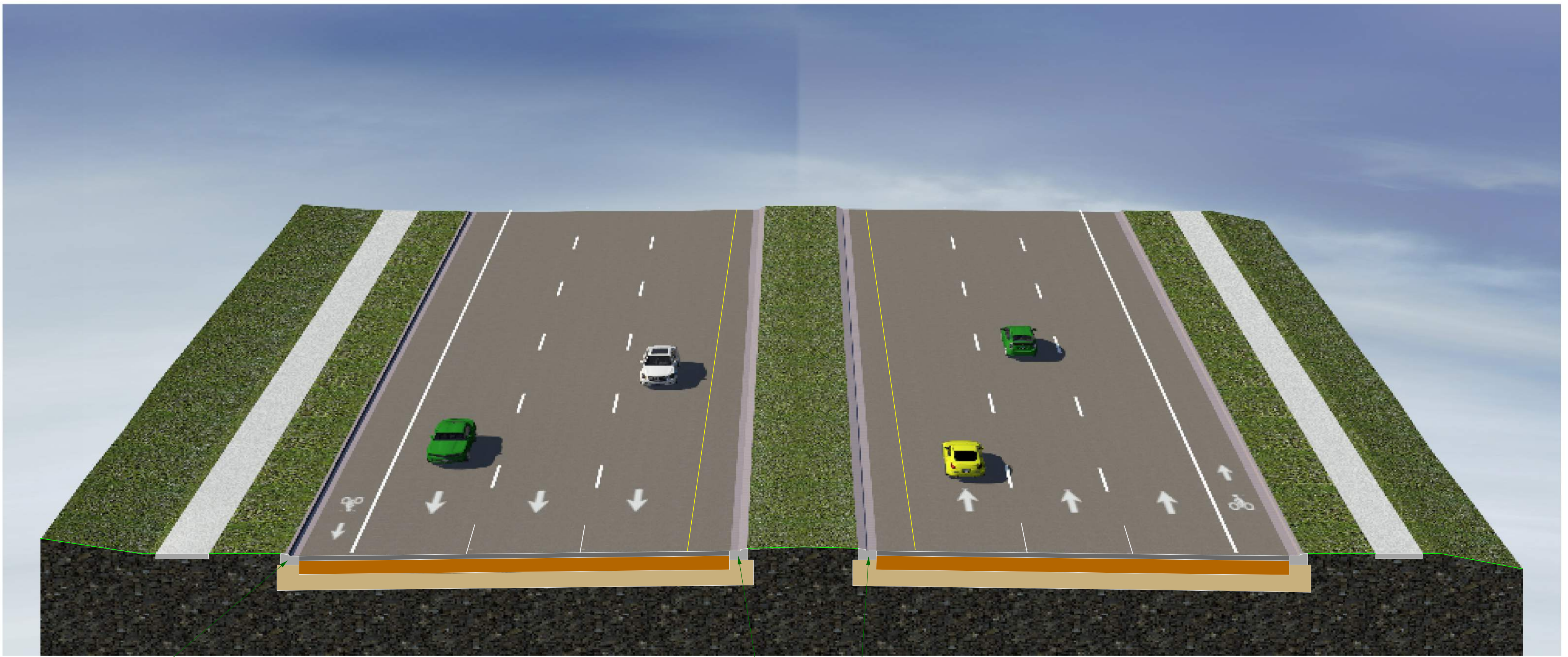
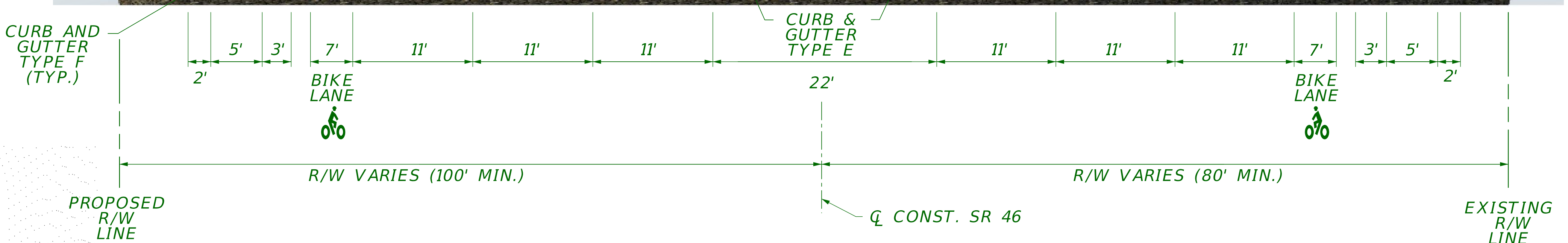
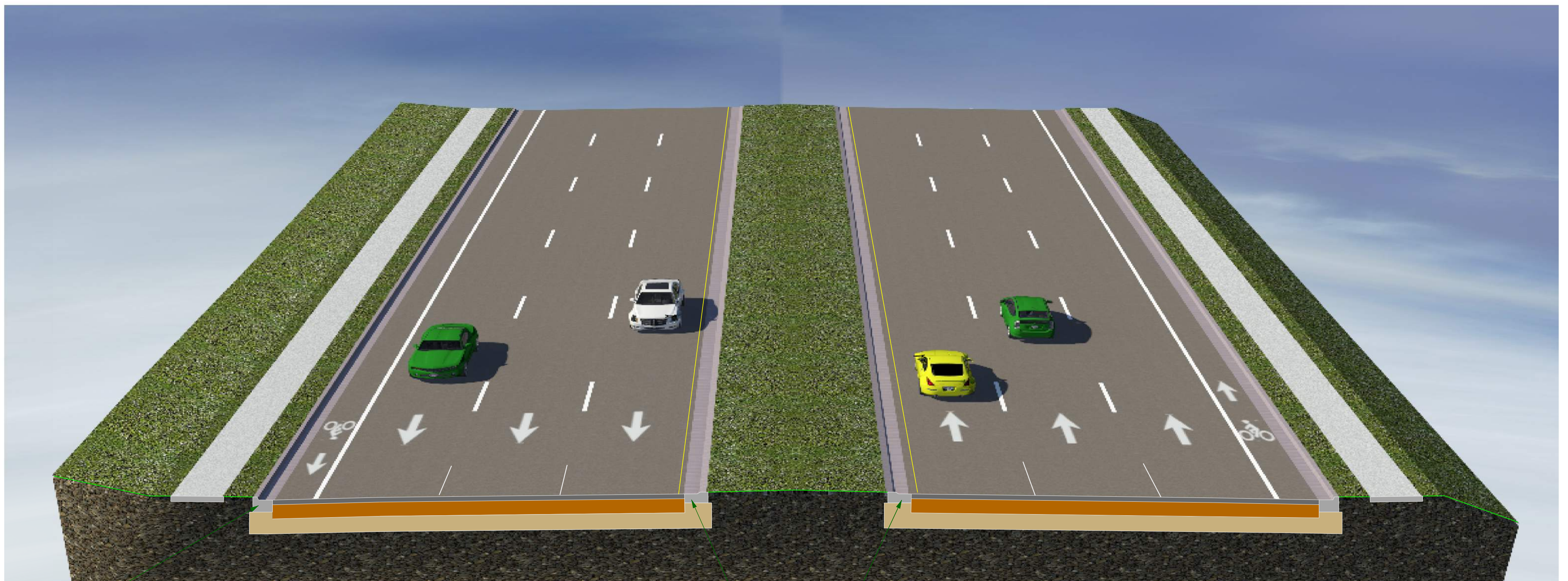




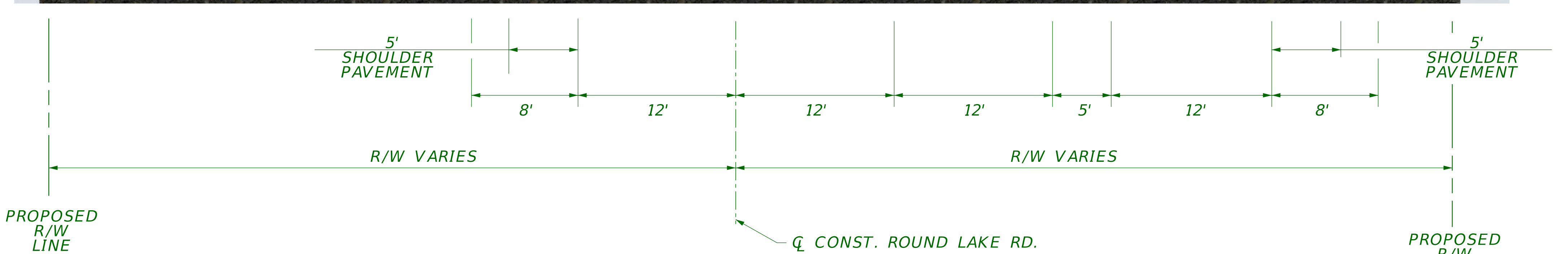
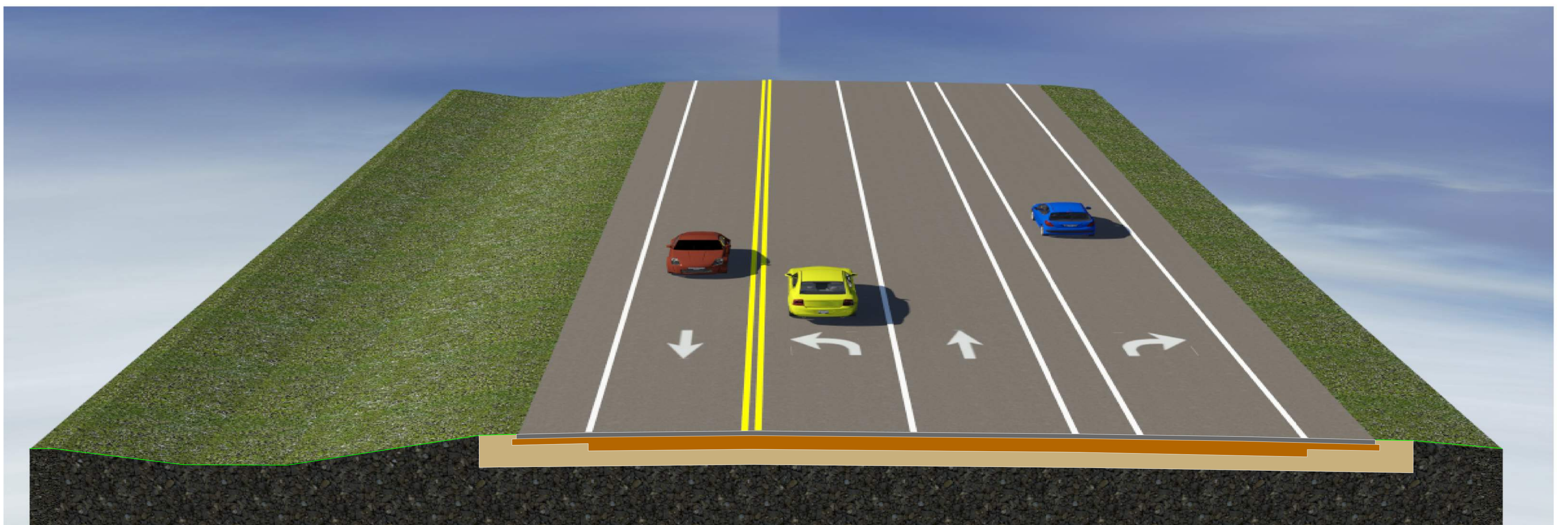
**SECTION 3A AND 3B TYPICAL SECTIONS
AUGUST 2017
100% PLANS - SUBJECT TO CHANGE**



**US 441 FROM NORTH OF CSX RR
TO SOUTH OF LINCOLN AVENUE**



**SR 46 FROM WEST OF US 441
TO EAST OF ROUND LAKE ROAD**



**ROUND LAKE ROAD FROM
SOUTH OF SR 46 TO
NORTH OF SR 46**